

EPC-C12

PANORAMA CAMERA

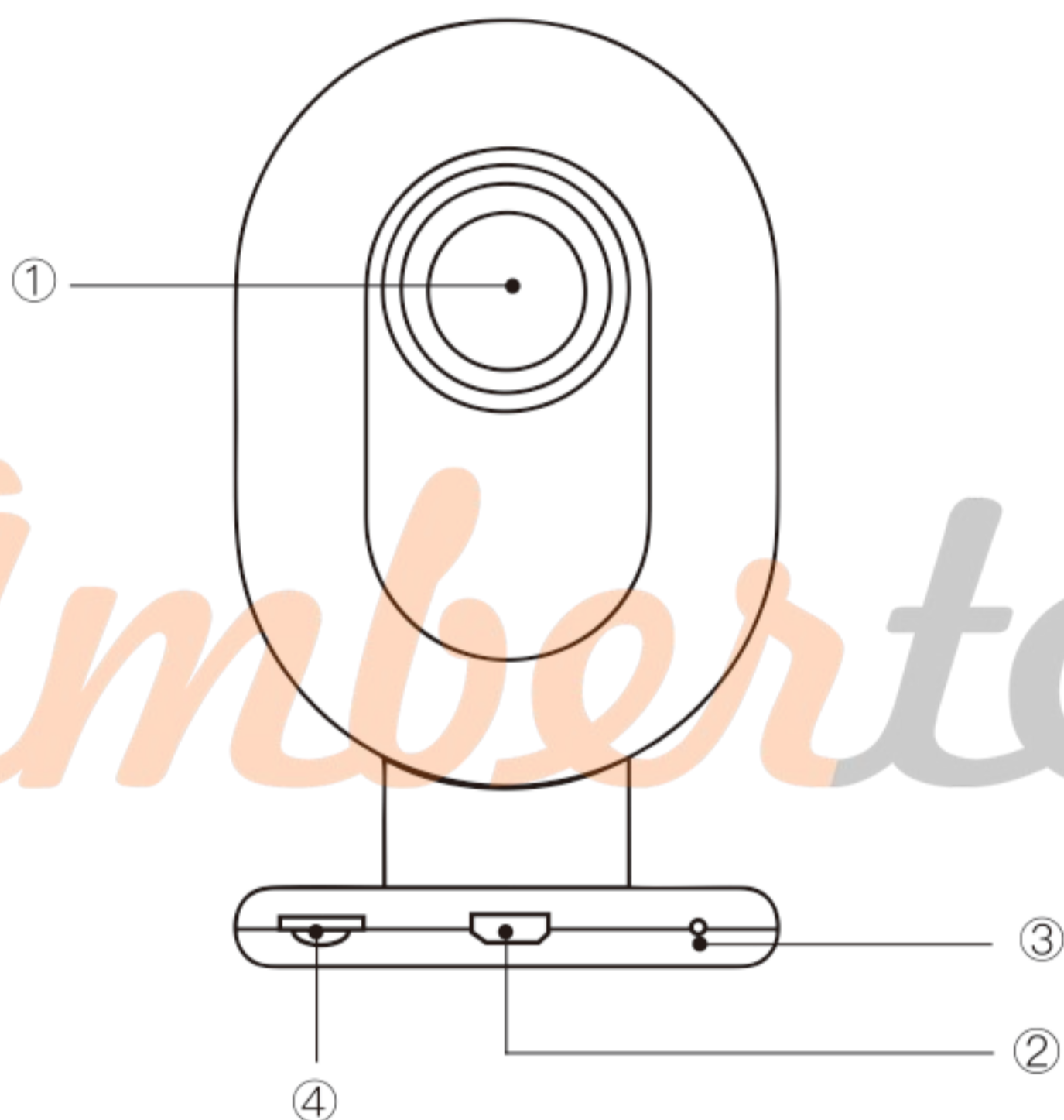
*Amber*te

Product Introduction

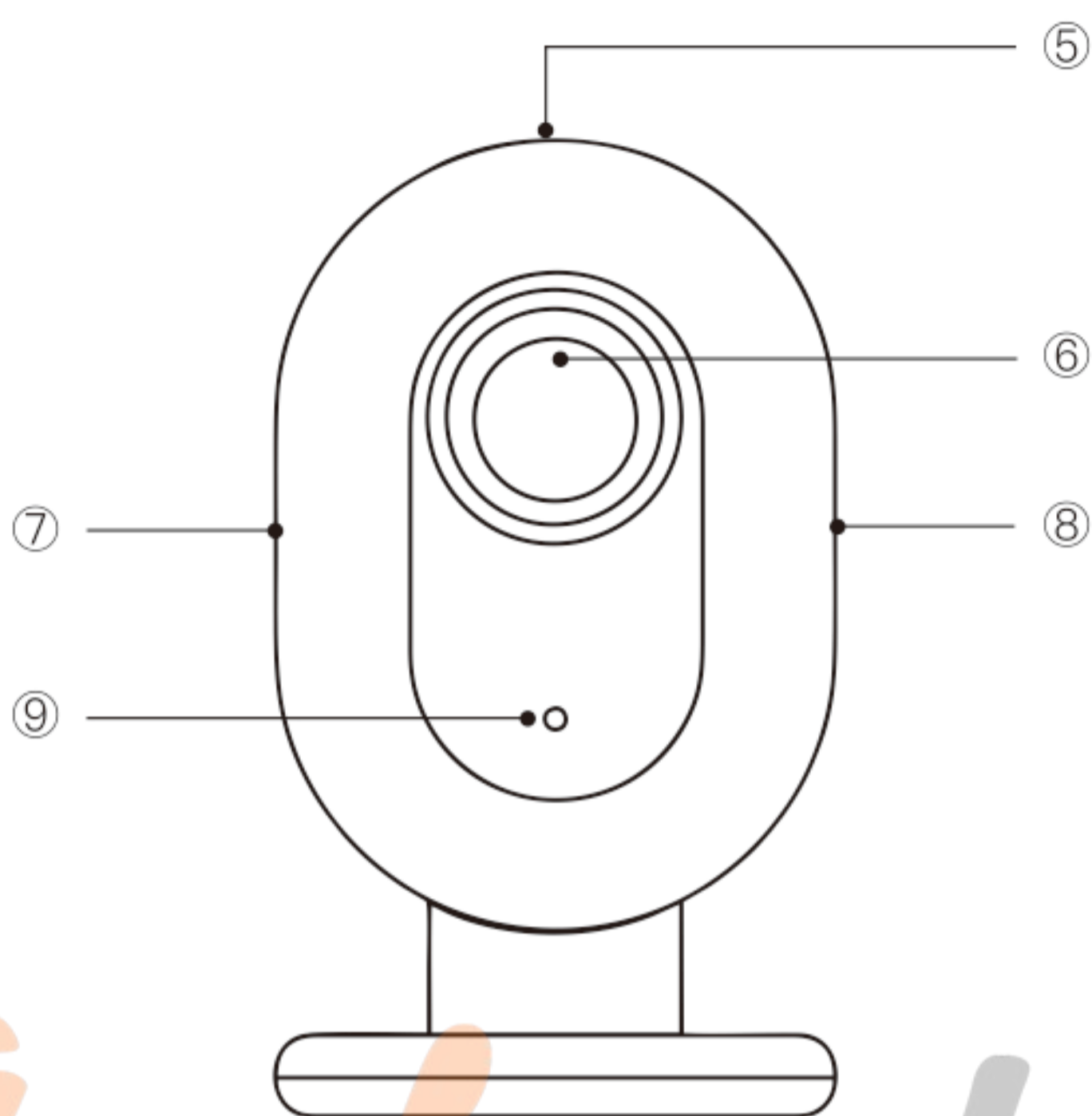
- Package List

Panorama Camera x1, Charging Cable x1, Power Adaptor x1, Reset Needle x1, User Guide x1

- Names of Parts



- ① Lens
- ② Micro USB Port
- ③ Reset Hole
- ④ Micro SD Card Slot



- ⑤ Infrared Light
- ⑥ Lens
- ⑦ Loudspeaker
- ⑧ Microphone
- ⑨ Indicator Light

- Indicator Light Status

Red always: Initiating / Malfunction

Red flashing: Waiting for connection

Green flashing: Network connecting

Green always: Functioning

Green flashing in long intervals: Real-time video being viewed by mobile terminal

- Basic Parameters

Product Name: Panorama Camera

Product Size: 96×55×55mm

Product Model: EPN-C13

Product Weight: 155g

Power Input: 5V/2A

Pixels: 4 Million

Resolution: 2592×1520

Field of View: Horizontal 360° × Vertical 360°

Work Temperature: -10°C ~ 50°C

Wi-Fi Standards: Wi-Fi IEEE802.11b/g/n 2.4GHz

Storage: Micro SD Card (Not provided; maximum storage supported: 128G; class10-supported ones are recommended)

System Supported: Android4.4 / iOS8.0 or Higher

Timber

Product Connection Instruction

- Install APP

Scan the QR code below or search “Panorama Life” in Android App Store/Apple App Store to download and install App.



iOS

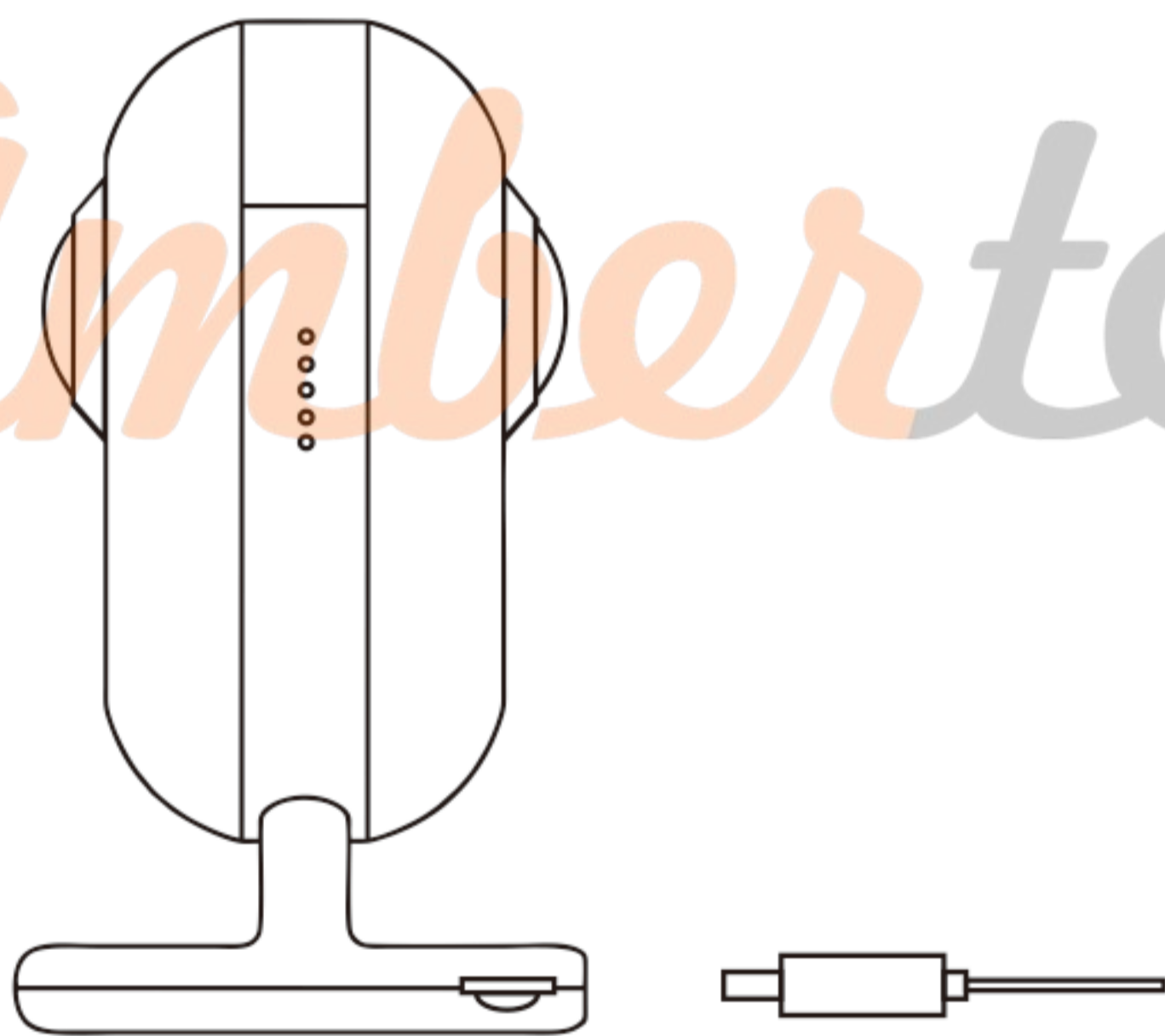


Android

- Power Up and Initiate Your Camera

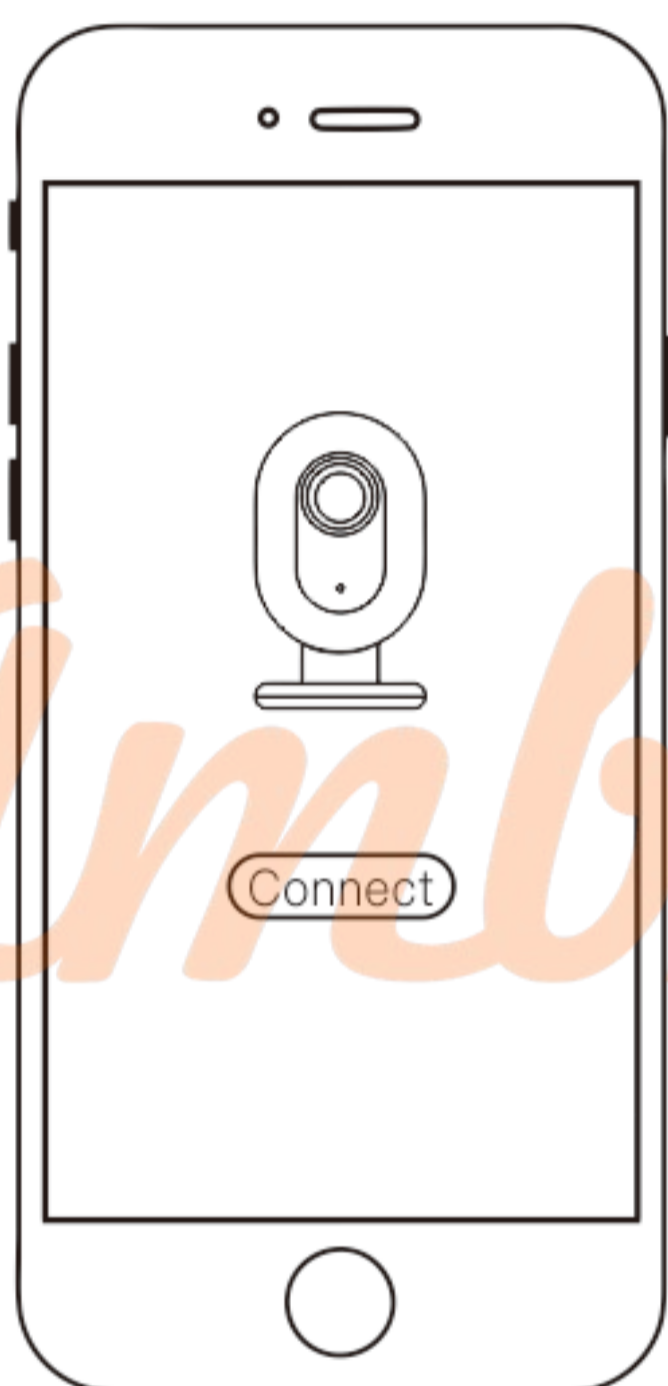
Plug the charging cable into the Micro USB port at the bottom of the camera to power it up until the indicator light is red and constantly lit. Seconds later the indicator light turns to green flashing indicating the camera is waiting for connection.

Note: Use the standard power adaptor lest malfunction be caused.



- Network Connection

- ▶ Open APP, find the corresponding device and click on “Connect”.
- ▶ Scan the QR code on your phone using any lens of the camera. The indicator light will turn green after successful connection of network.



Product Function Specifications

- Real-time Viewing
 - ▶ You can view the real-time panorama of the camera's surroundings 24/7.
 - ▶ The infrared light will be turned on automatically during nighttime (Can be turned off in settings) to ensure normal performance at night.



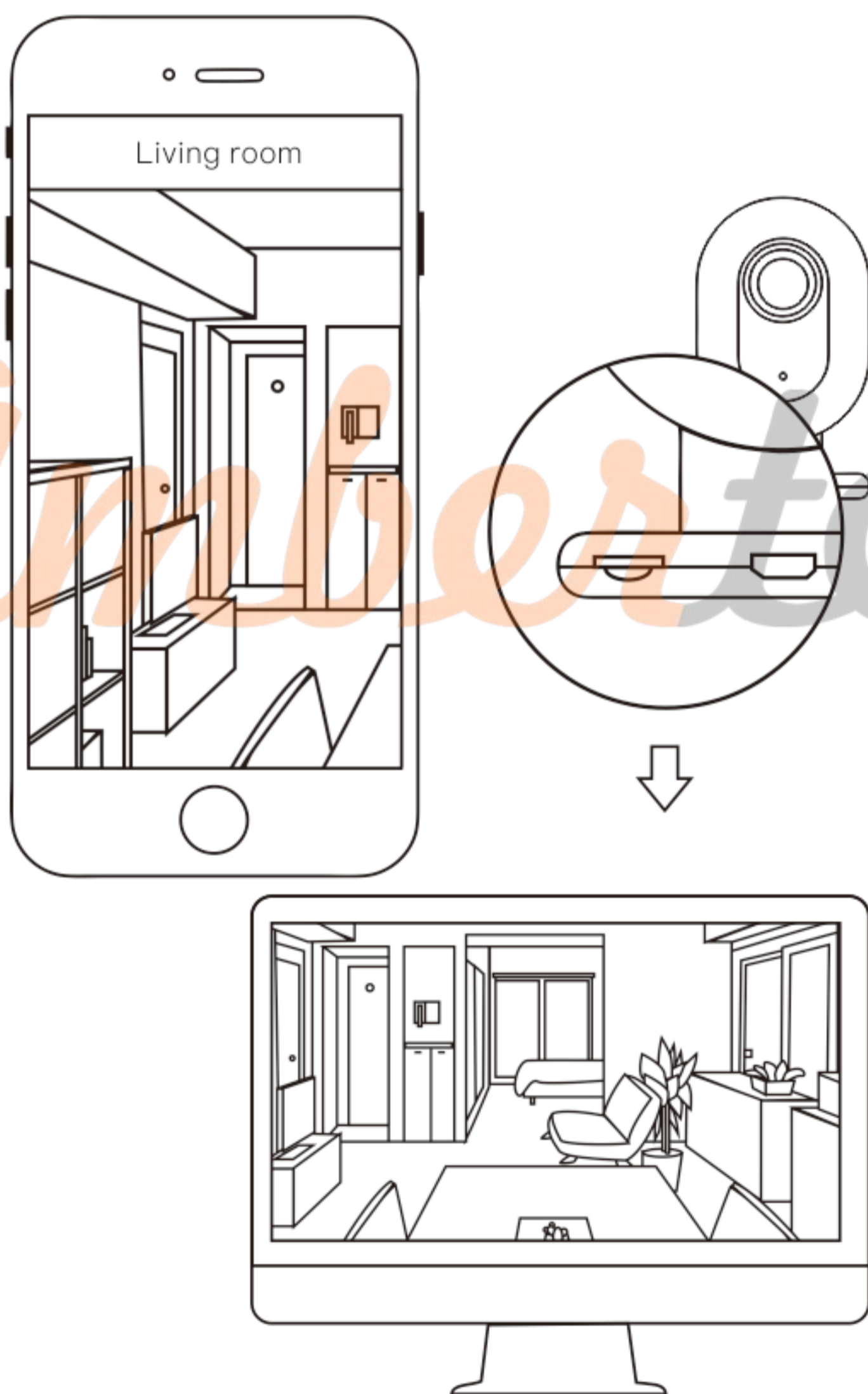
Daytime



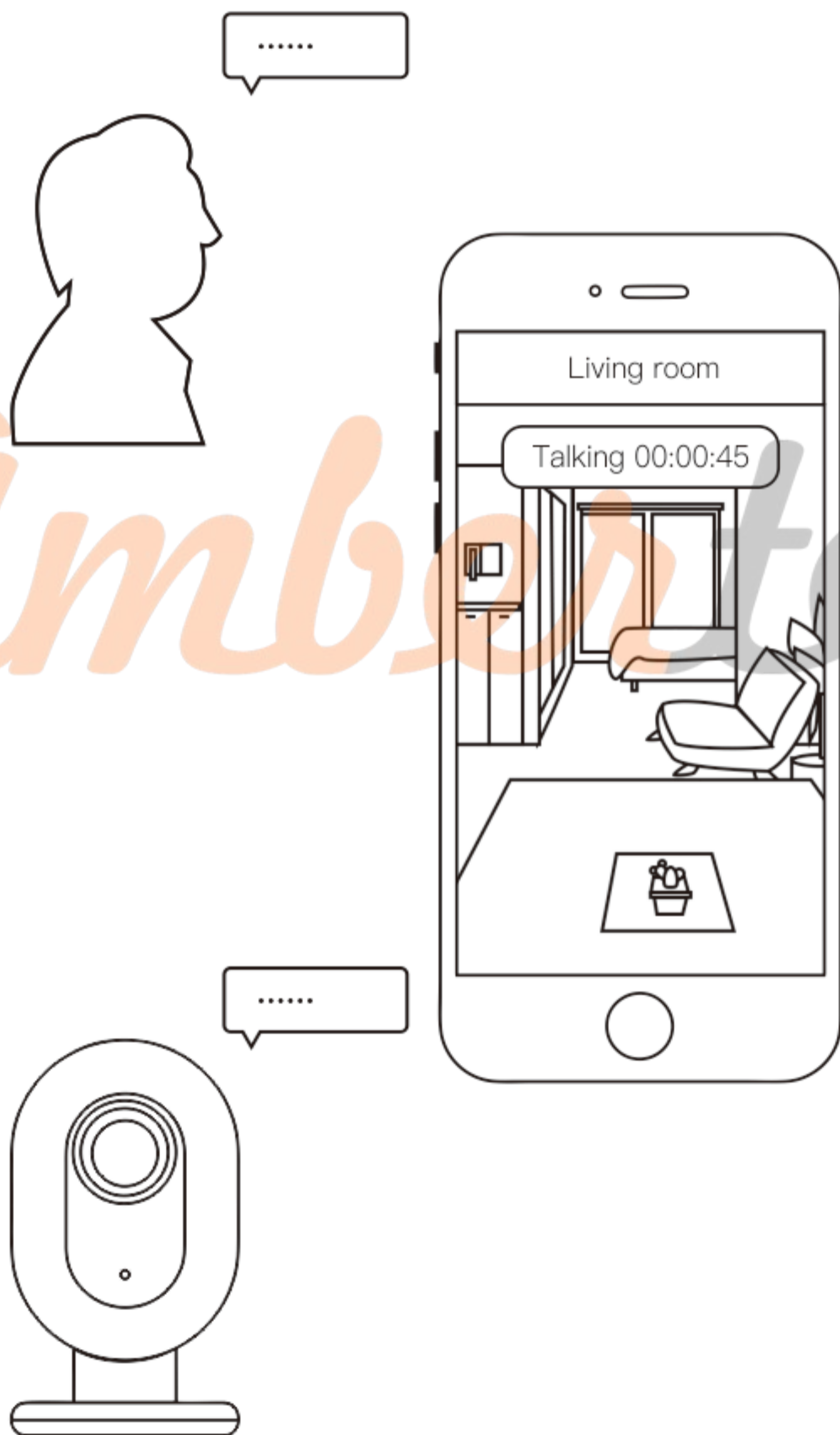
Nighttime

- History Playback

- ▶ Insert Micro SD card to record history videos.
- ▶ You can view history videos via phone APP or PC panoramic video player after importing the contents of the SD card to the computer.



- Two-way Voice Intercom Function
 - ▶ Tap Voice button on your phone to initiate two-way voice intercom function.



- Motion Detection

- ▶ The camera can discern every movement in its detection range once the function of motion detection is initiated. Should it detect any suspicious motion during the preset time period, it would send notification to your phone to keep you informed of any unusual states inside your home at any time.
- ▶ You can set the time period and range of motion detection according to your own circumstances.

